



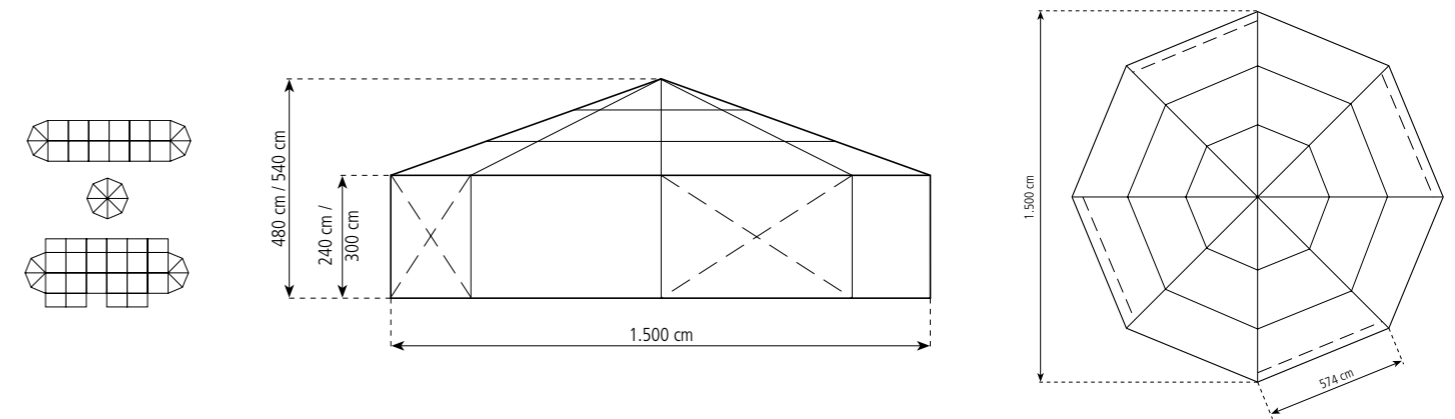
OCTAGONAL TENT

TECHNICAL DATA

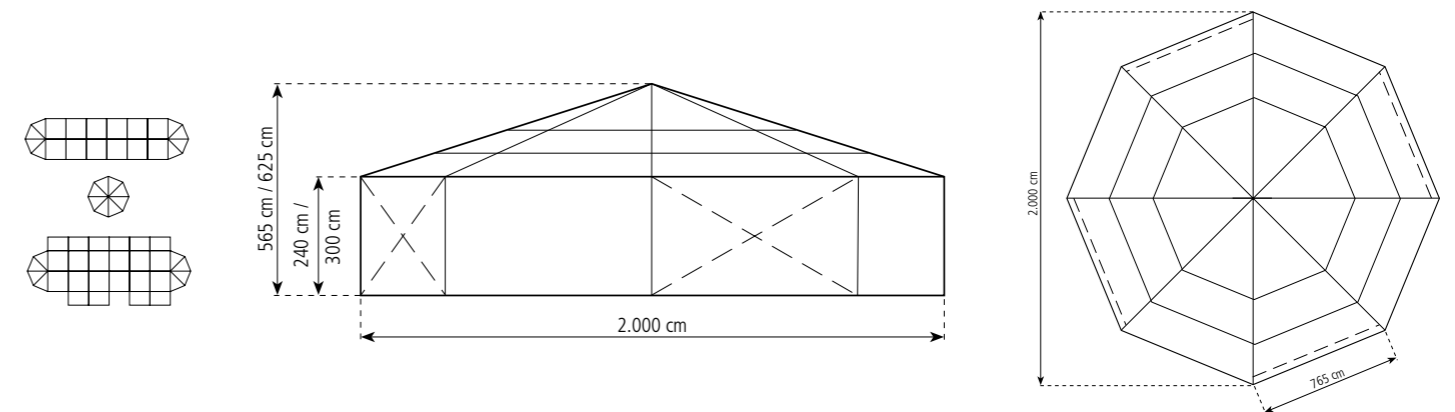
STANDARD VERSION

Span	1.500 cm	1.500 cm	2.000 cm	2.000 cm	2.000 cm
Side height	240 cm	300 cm	240 cm	300 cm	400 cm
Side length	574 cm	574 cm	765 cm	765 cm	765 cm
Ridge height	480 cm	540 cm	565 cm	625 cm	725 cm
Roof pitch	18°	18°	18°	18°	18°
Longest component	800 cm	800 cm	1.062 cm	1.062 cm	1.062 cm
Main profile			220 x 100 x 3 mm	220x100x4 mm	
Covered area	159 m ²	159 m ²	282,8 m ²	282,8 m ²	282,8 m ²
Corner connections			Sliding connection	Plug-in connection with corner and ridge brace	
Max. wind speed according to EN					100 km/h
Flooring	<ul style="list-style-type: none"> • Cassette flooring • Heavy duty floor 				
Tarpaulin	RÖDER No. 1, PVDF-coated tarpaulin, according to DIN 18204				

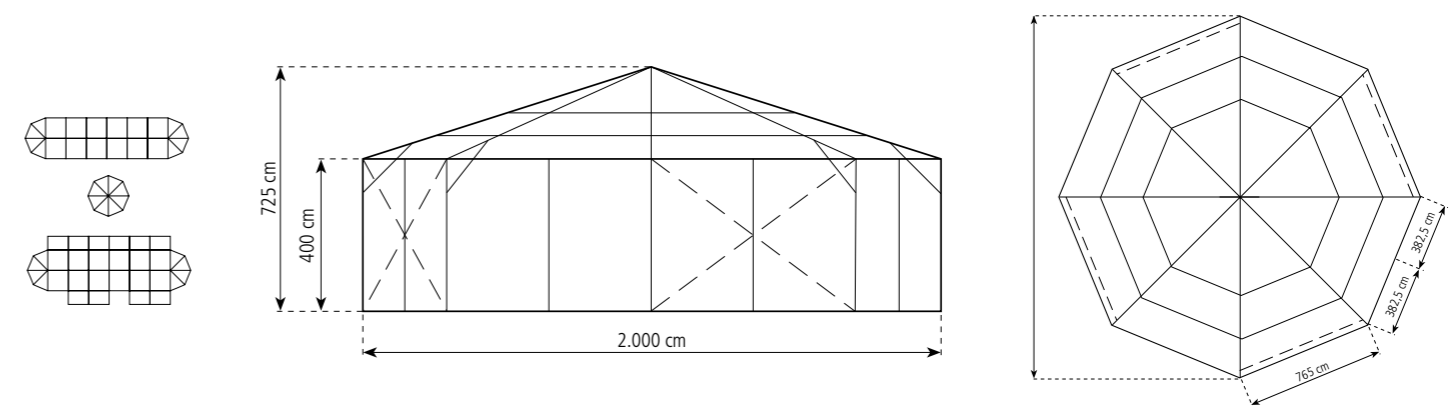
1.500/240/480 & 1.500/300/540



2.000/240/565 & 2.000/300/625



2.000/400/725



QUESTIONS AND COMMENTS

We have provided you with a summary of the main data and measurements of our standard constructions. No guarantee can be made for the accuracy of the information given. We cannot be held liable for printing or spelling errors. We would be happy to meet with you personally to help you find the perfect accommodation to match your requirements. If you have any questions on further measurements, specialist constructions, extensions or remodeling, or if you require further technical data, the RÖDER team will be happy to help.