



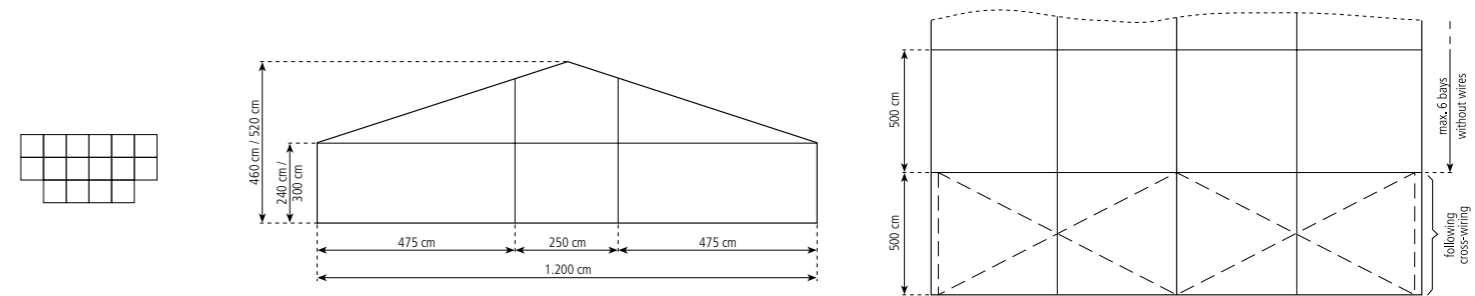
TECHNICAL DATA

BIG TENT 1.200 - 1.500 CM

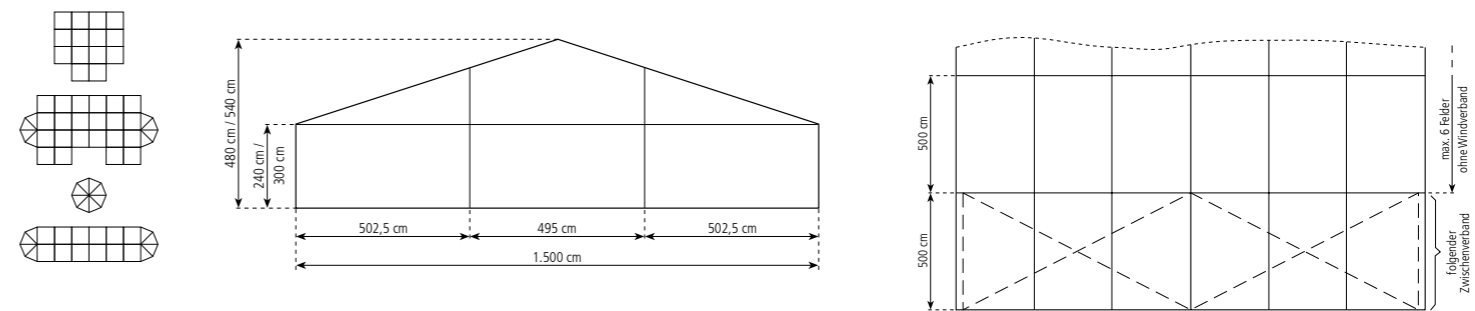
STANDARD VERSION

Span	1.200 cm	1.200 cm	1.500 cm	1.500 cm	1.500 cm
Side height	240 cm	300 cm	240 cm	300 cm	400 cm
Ridge height	460 cm	520 cm	480 cm	540 cm	640 cm
Roof pitch	20°	20°	18°	18°	18°
Bay distance / grid	500 cm	500 cm	500 cm	500 cm	500 cm
Longest component	636 cm	636 cm	800 cm	800 cm	800 cm
Main profile	160 x 100 x 3 mm			220 x 100 x 3 mm	
Gable column	2	2	2	2	2
Corner connections	Sliding connection				Plug-in connection with corner brace
Min. setup length	1.000 cm	1.000 cm	1.000 cm	1.000 cm	1.000 cm
Max. setup length	Expandable with the grid				
Max. wind speed according to EN	100 km/h				
Special design	Elimination of the side bandage through the installation of portals				
Floor	<ul style="list-style-type: none"> • Wood floor with timber or steel-aluminum substructure • Cassette flooring • Compact floor • Heavy duty floor 				
Tarpaulin	RÖDER No. 1, PVDF-coated tarpaulin, according to DIN 18204				

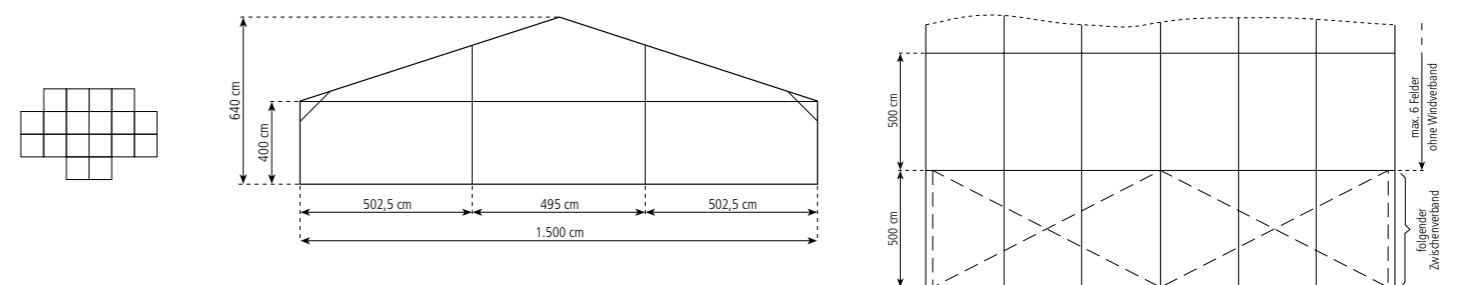
1.200/240/460 & 1.200/300/520



1.500/240/480 & 1.500/300/540



1.500/400/640



QUESTIONS AND COMMENTS

We have provided you with a summary of the main data and measurements of our standard constructions. No guarantee can be made for the accuracy of the information given. We cannot be held liable for printing or spelling errors. We would be happy to meet with you personally to help you find the perfect accommodation to match your requirements. If you have any questions on further measurements, specialist constructions, extensions or remodeling, or if you require further technical data, the RÖDER team will be happy to help.