

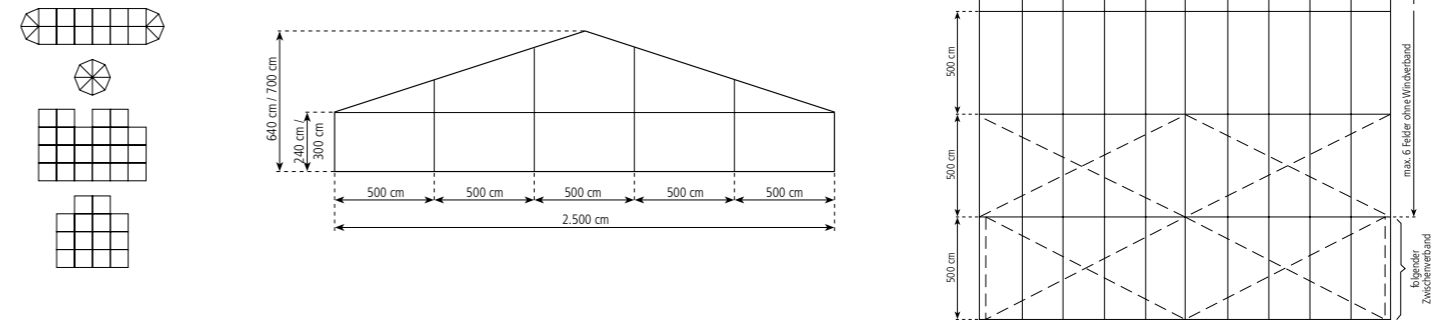
TECHNICAL DATA

BIG TENT 2.500 - 3.000 CM

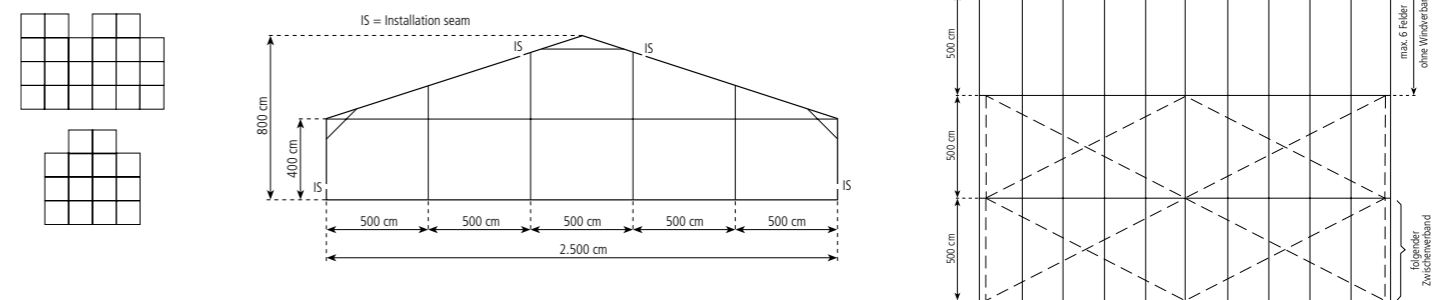
STANDARD VERSION

Span	2.500 cm	2.500 cm	2.500 cm	3.000 cm	3.000 cm
Side height	240 cm	300 cm	400 cm	300 cm	400 cm
Ridge height	640 cm	700 cm	800 cm	787 cm	887 cm
Roof pitch	18°	18°	18°	18°	18°
Bay distance / grid	500 cm	500 cm	500 cm	500 cm	500 cm
Longest component	1.064 cm	1.064 cm	1.070 cm	1.070 cm	1.070 cm
Main profile	220 x 100 x 4 mm		250 x 120 x 4/5 mm		
Gable column	4	4	4	5	5
Corner connections	Plug-in connections with corner brace		Gusset plate connection with corner and ridge brace	Gusset plate connection with or without corner and ridge brace	
Min. setup length	2.000 cm	2.000 cm	2.000 cm	2.000 cm	2.000 cm
Max. setup length	Expandable with the grid				
Max. wind speed according to EN	110 km/h				
Special design	Elimination of the side bandage through the installation of portals				
Flooring	<ul style="list-style-type: none"> • Wood floor with timber or steel-aluminum substructure • Cassette flooring • Compact floor • Heavy duty floor 				
Tarpaulin	RÖDER No. 1, PVDF-coated tarpaulin, according to DIN 18204				

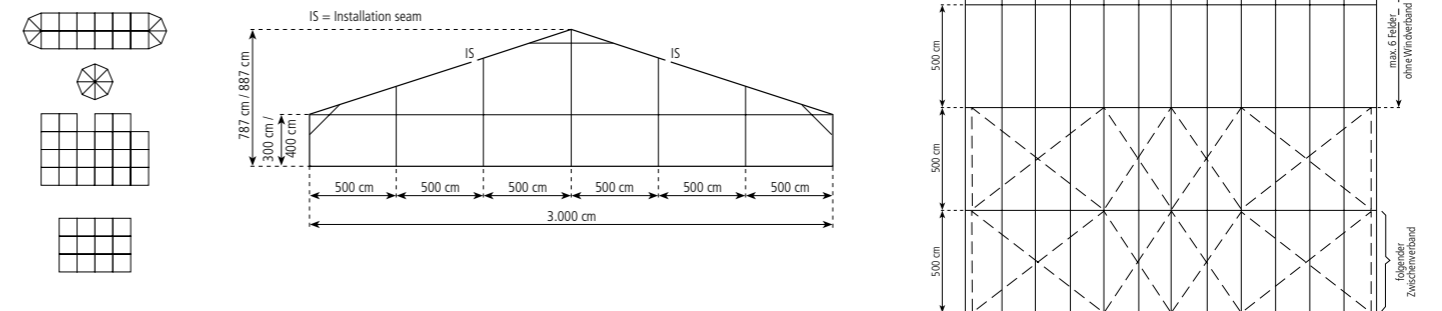
2.500/240/640 & 2.500/300/700



2.500/400/800



3.000/300/787 & 3.000/400/887



QUESTIONS AND COMMENTS

We have provided you with a summary of the main data and measurements of our standard constructions. No guarantee can be made for the accuracy of the information given. We cannot be held liable for printing or spelling errors. We would be happy to meet with you personally to help you find the perfect accommodation to match your requirements. If you have any questions on further measurements, specialist constructions, extensions or remodeling, or if you require further technical data, the RÖDER team will be happy to help.